



Electrolux
PROFESSIONAL

**Modular Cooking Range Line
thermaline 90 - 1200 mm Open
base, 1 Side (H2) - H=450**

ITEM # _____

MODEL # _____

NAME # _____

SIS # _____

AIA # _____



589177 (MC1ACAKOOO)

Open Base, one-side
operated - H2

Short Form Specification

Item No. _____

1200 mm wide open base compartment to store pots, pans, sheet pans, etc. with hygienic design and round edges. Internal frame for heavy duty sturdiness in stainless steel. Flat surface construction, easily cleanable.

IPX5 water resistant certification.

Configuration: One-side operated freestanding base, hygienic class H2.

Main Features

- Open base compartment for storage of pots, pans, sheet pans, etc.
- All major components may be easily accessed from the front.
- Unit to be placed below modular top appliances to store pots, pans, sheet pans, etc.

Construction

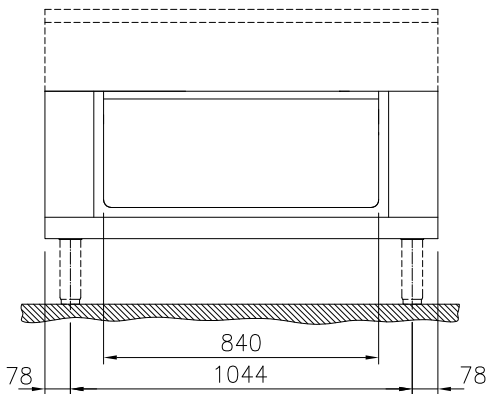
- Hygienic design of the open base compartment with large round edges.
- IPX5 water resistance certification.
- 2 mm top in 1.4301 (AISI 304).
- Flat surface construction with minimal hidden areas to easily clean all surfaces
- Internal frame for heavy duty sturdiness in stainless steel.

APPROVAL: _____

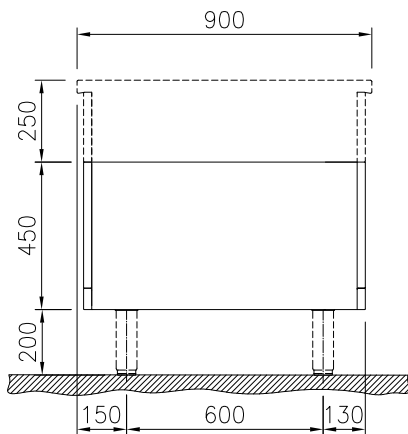


Experience the Excellence
www.electroluxprofessional.com

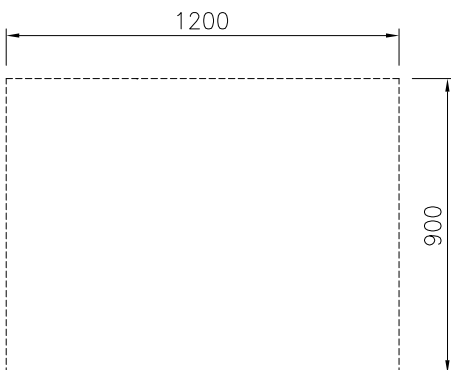
Front



Side



Top


Key Information:

External dimensions, Width:	
589177 (MC1ACAK000)	1200 mm
External dimensions, Depth:	900 mm
External dimensions, Height:	450 mm
Cupboard Cavity Dimensions (width):	840 mm
Cupboard Cavity Dimensions (height):	330 mm
Cupboard Cavity Dimensions (depth):	740 mm
Net weight:	26 kg

Optional Accessories

- Stainless steel side panel, 900x700mm, freestanding PNC 912512
 - Stainless steel front kicking strip, 1200mm width PNC 912638
 - Stainless steel side kicking strip left and right, freestanding, 900mm width PNC 912657
 - Stainless steel side kicking strips left and right, against the wall, 900mm width PNC 912660
 - Stainless steel side kicking strip left and right, back-to-back, 1810mm width PNC 912663
 - Stainless steel plinth, against wall, 1200mm width PNC 912943
 - Stainless steel plinth, freestanding, 1200mm width PNC 912962
 - Stainless steel panel, 900x700mm, against wall, left side PNC 913101
 - Stainless steel panel, 900x700mm, against wall, right side PNC 913105
 - Back panel, 1200x450mm, for bases one-side operated PNC 913171
 - Stainless steel side panel, left, H=700 PNC 913222
 - Stainless steel side panel, right, H=700 PNC 913223
 - Perforated shelf for warming cabinets and cupboard bases (one-side operated TL80-85-90 and two-side operated for TL80) PNC 913239
 - Side reinforced panel only in combination with side shelf, for freestanding units PNC 913260
 - Side reinforced panel only in combination with side shelf, for against the wall installations, left PNC 913267
 - Side reinforced panel only in combination with side shelf, for against the wall installations, right PNC 913269
 - Side reinforced panel only in combination with side shelf, for back-to-back installations, left PNC 913275
 - Side reinforced panel only in combination with side shelf, for back-to-back installation, right PNC 913276
 - Shelf fixation for TL80-85-90 one-side operated, TL80 two-side operated PNC 913279
 - Stainless steel dividing panel, 900x700mm, (it should only be used between Electrolux Professional thermaline Modular 90 and thermaline C90) PNC 913672
- Stainless steel side panel, 900x700mm, flush-fitting (it should only be used against the wall, against a niche and in between Electrolux Professional thermaline and ProThermetic appliances and external appliances - provided that these have at least the same dimensions) PNC 913688